

AS1S30H

STANDARD MATERIALS AND CONSTRUCTION

- FRAME:** Frame optional. See Page 2 for available options.
- VBS:** 0.465" deep hat channel, 0.063" thick (nominal)
6063-T5 aluminum alloy vertical blade support (VBS).
- BLADE:** 0.063" thick (nominal) extruded aluminum, 6063-T5 alloy.
- FINISH:** Mill

OPTIONS

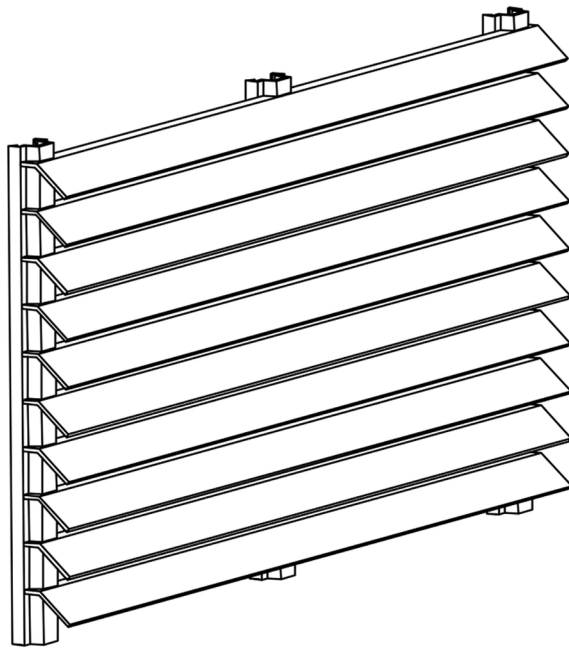
Finish - Anodized, Painted

NOTES

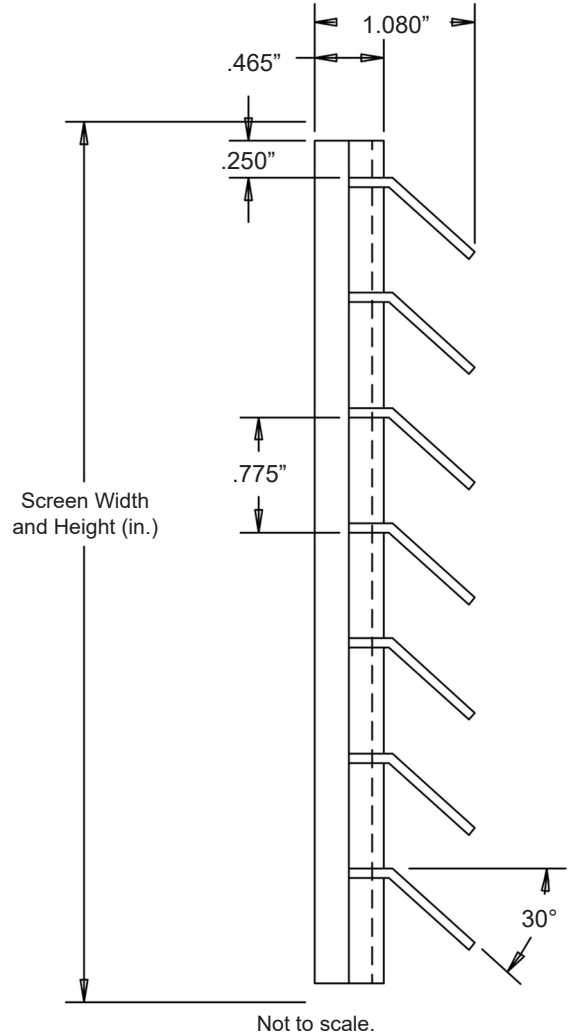
1. Nominal deductions will be made to the opening size for standard and optional frame construction.
2. Contact the factory for louver sizes larger than 96"W x 48"H.
3. Approximate shipping weight is 1.6 lbs./sq.ft.

LOUVER SIZES

Min Panel	Max Single Panel
12"W x 12"H	96"W x 48"H



Not to scale.



In the interest of product development, Airline Louvers reserves the right to make changes without notice.

Item #	Qty	Width	Height	Width	Height	Mullion	Type	Location					
		Opening Size		Louver Size			Screens						
Arch. / Eng. :						EDR:	ECN:	Job:					
Contractor:													
Project:						Date:	DWN:	DWG:					

AS1S30H

FREE AREA TABLES

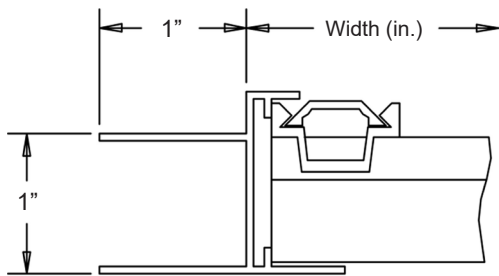
Free Area (sq.ft.)

		Width in. (mm)							
		12" (305)	24" (610)	36" (914)	48" (1219)	60" (1254)	72" (1829)	84" (2134)	96" (2438)
Height in. (mm)	12" (305)	.63 (0.059)	1.33 (0.124)	2.03 (0.189)	2.78 (0.258)	3.48 (0.323)	4.18 (0.388)	4.88 (0.453)	5.63 (0.523)
	24" (610)	1.29 (0.120)	2.72 (0.253)	4.16 (0.386)	5.70 (0.529)	7.13 (0.662)	8.57 (0.796)	10.00 (0.929)	11.55 (1.073)
	36" (914)	1.94 (0.180)	4.09 (0.380)	6.25 (0.581)	8.57 (0.796)	10.73 (0.997)	12.88 (1.197)	15.04 (1.397)	17.36 (1.613)
	48" (1219)	2.60 (0.242)	5.49 (0.510)	8.38 (0.779)	11.50 (1.068)	14.39 (1.337)	17.28 (1.605)	20.12 (1.869)	23.28 (2.163)

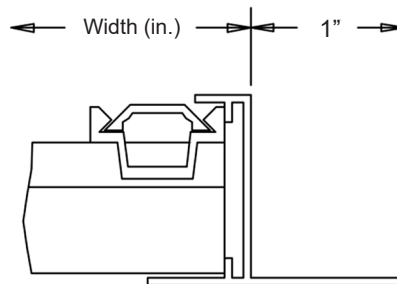
Free Area (% Free Area)

		Width in. (mm)							
		12" (305)	24" (610)	36" (914)	48" (1219)	60" (1254)	72" (1829)	84" (2134)	96" (2438)
Height in. (mm)	12" (305)	63.00	66.50	67.67	69.50	69.60	69.67	69.71	70.38
	24" (610)	64.50	68.00	69.33	71.25	71.30	71.42	71.43	72.19
	36" (914)	64.67	68.17	69.44	71.42	71.53	71.56	71.62	72.33
	48" (1219)	65.00	68.63	69.83	71.88	71.95	72.00	71.86	72.75

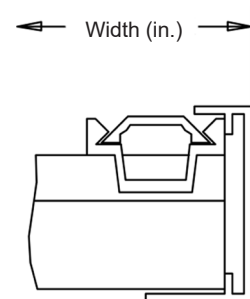
FRAME OPTIONS



Glazing Frame
(Optional)



Flanged Frame
(Optional)



Channel Frame
(Optional)